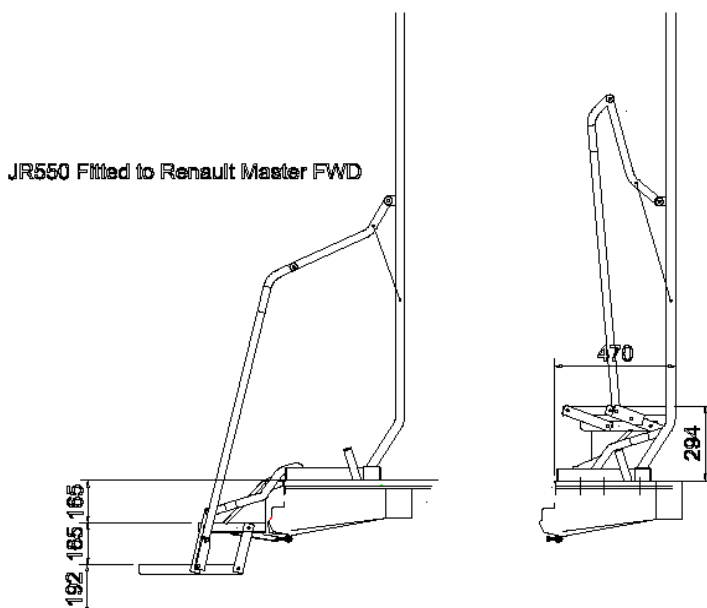


# J550 SERIES STEPS



The J550 range of double fold out steps complete with hand rails and main poles can either be pivotally mounted in the side walls of the top step well made in the raised floor of the vehicle or mounted with the optional side channel mounts directly to the vehicle floor. The handrails provided with the step incorporate gas struts that take all the work out of deploying and stowing the step. The unique folding system of the lower tread (patent applied for) minimises the height above the vehicle floor or step well when stowed. The step can be deployed and stowed from inside and outside of the vehicle.

The J550 step is manufactured with anodised alloy treads and side struts. The main step well and swivel links are powder coated steel. All pivot joints have plain nylon bush bearings with high tensile steel pivot bolts.



J550 Series Double Fold Out Steps  
 JD550 - FWD Ducato / Boxer  
 JR550 - FWD Master / Movano  
 JS550 - Sprinter